



New HedgeHog 4 Series - 4 II, 4N II, 4S, 4X

1 Chassis, 4 Options- offering Hog customers and the market in general the ultimate flexibility with the feature sets they need. High End Systems presents a new array of HedgeHog 4's; HedgeHog 4, HedgeHog 4 N, HedgeHog 4 S and HedgeHog 4 X. All sharing the same chassis but providing 4 levels of feature sets.

For the first time, customers will be able to buy the platform which is right for their current application, but now will be able to unlock additional features as and when necessary without the need to invest in new hardware. Users will be able to, with the use of a software code purchased separately, move from any version to a higher model.

This array of HedgeHog 4's are the littlest of the range and still pack quite a punch, running the same software as all the other Hogs. All models include ArtNet and CIP capabilities and are designed for small to mid level shows. They are compact, lightweight and easy to take on a plane! Running on Linux, they are fast, stable and ready to Hog.

Perfect consoles for use in school theaters, nightclubs, corporate events, medium scale rental jobs or churches. Retaining the same programming layout as their larger brother, the Road Hog 4, and being able to load show files from any of the range (and vice versa) means this compact console range is extremely flexible and easy to use.



FEATURES

- (2) Onboard DMX Universes**
- (4) Onboard DMX Universes - ArtNet sACN (eNode4™)**
- Up to (6) Onboard DMX Universes (Hedge Hog 4X only)**
- 12-Inch Multi-Touch LCD Display**
- (10) Playback Faders**
- (12) User Keys (Non-LCD)**
- (4) Encoders Wheels**
- Dual Purpose Grand Master Fader**
- Grand Master Controller Keys (DBO & Flash)**
- Hog 4 Programming Surface**
- Soffkeys for Quick Toolbar Selection**
- 256GB Internal Solid State Hard Disk Drive**
- Linux Operating System - Upgradable**
- Auto-Ranging Main Input (90-240VAC)**
- Light Converse Visualizer Software and Dongle Key**

Specifications are subject to change without notice ©Elation Professional

Elation Professional USA | 6122 S. Eastern Ave. | Los Angeles, CA. 90040
323-582-3322 | 323-832-9142 fax | www.elationlighting.com | info@elationlighting.com

Elation Professional B.V. | Junostraat 2 | 6468 EW Kerkrade, Netherlands
+31 45 546 85 66 | +31 45 546 85 96 fax | www.elationlighting.eu | info@elationlighting.eu

PRODUCT SPECIFICATIONS

FEATURES

Hedge Hog 4 II

(2) DMX Universes
 (4) DMX Universes - ArtNet sACN (**eNode4™**)
 Hog Net Upgradable*
 External Monitor Support Upgradable*

Hedge Hog 4N II

(2) DMX Universes
 (4) DMX Universes - ArtNet sACN (**eNode4™**)
 Hog Net (Console Networking/DP8K Expansion)
 External Monitor Support Upgradable*

Hedge Hog 4S

(2) DMX Universes
 (4) DMX Universes - ArtNet sACN (**eNode4™**)
 External Monitor Support
 Hog Net Upgradable*

Hedge Hog 4X

(2) DMX Universes
 (6) DMX Universes - ArtNet sACN (**eNode4™**)
 Hog Net (Console Networking/DP8K Expansion)
 External Monitor Support

*Contact Elation Sales for Upgrade Pricing Info

CONTROL / CONNECTIONS

12-Inch Multi-Touch LCD Display
 (10) Playback Faders
 (12) User Keys (Non-LCD)
 (4) Encoder Wheels
 Dual Purpose Grand Master Fader
 Grand Master Controller Keys (DBO & Flash)
 Hog 4 Programming Surface
 Softkeys for Quick Toolbar Selection
 256GB Internal Solid State Hard Disk Drive
 (2) Gigabit Base-TX Ethernet Ports
 (2) USB 2.0 Ports + (2) USB 3.0 Ports
 (2) 5pin Female DMX Outputs
 Light Converse Visualizer Software and Dongle Key
 MIDI Show Control / Time Code via External Widget

SIZE / WEIGHT

Length: 20.74" (526.8mm)
 Width: 21.83" (554.37mm)
 Vertical Height: 3.97" (100.78mm)
 Weight: 17 lbs. (7.7kg)

ELECTRICAL / THERMAL

AC 90-240V - 50/60Hz
 250W Max Power Consumption

APPROVALS

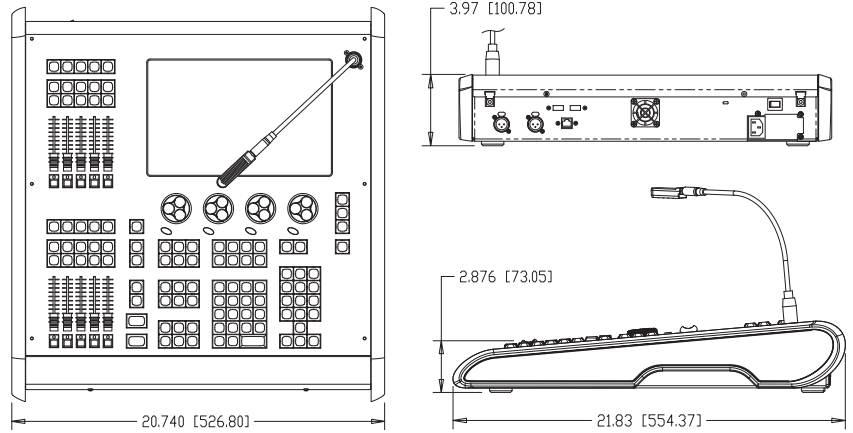
CE |



INCLUDED ITEMS

- (1) Light Converse Visualizer Software and Dongle Key
- (1) 5 ft (1.5m) IEC Power Cable
- (1) Dimmable LED Desklight (3pin XLR)
- (2) USB Thumb Drives (Storage & Recovery)
- (1) Dust Cover

DIMENSIONAL DRAWING



OPTIONAL ACCESSORIES



eNode4™ ArtNet to DMX Converter

Up To (4) Universes
 (2) etherCON Ports
 (4) 5pin XLR Universal DMX Ports



Hog DP8000 DMX Processor

Up To (16) Universes
 (2) etherCON Ports + (2) USB-A Ports
 (8) 5pin XLR DMX Ports

HedgeHog4™ Flight Case

Dual Casters and Pull Handle
 Custom Space for eNode4™ (see image below)



ORDER CODE	ITEM
HOG102	HedgeHog 4 II Console
HOG126	HedgeHog 4N II Console
HOG138	HedgeHog 4S Console
HOG149	HedgeHog 4X Console
ENO406	eNode4™
HOG034	Hog DMX Processor (DP8K)
DRCHH001	Flight Case w/Casters and Pull Handle (45lbs loaded)
AC5PM3PFM	5pin Male XLR to 3pin Female Turnaround
CAT005	5' CAT6 Ethercon Cable
AC5PDMX5PRO	5 ft. (1.5m) 5pin PRO DMX Cable



Specifications are subject to change without notice ©Elation Professional

Elation Professional USA | 6122 S. Eastern Ave. | Los Angeles, CA. 90040
 323-582-3322 | 323-832-9142 fax | www.elationlighting.com | info@elationlighting.com

Elation Professional B.V. | Junostraat 2 | 6468 EW Kerkrade, Netherlands
 +31 45 546 85 66 | +31 45 546 85 96 fax | www.elationlighting.eu | info@elationlighting.eu