

PRO-PANEL™ LED

LED HIGH COLOR RENDERING STUDIO AND SET LIGHTING SYSTEMS

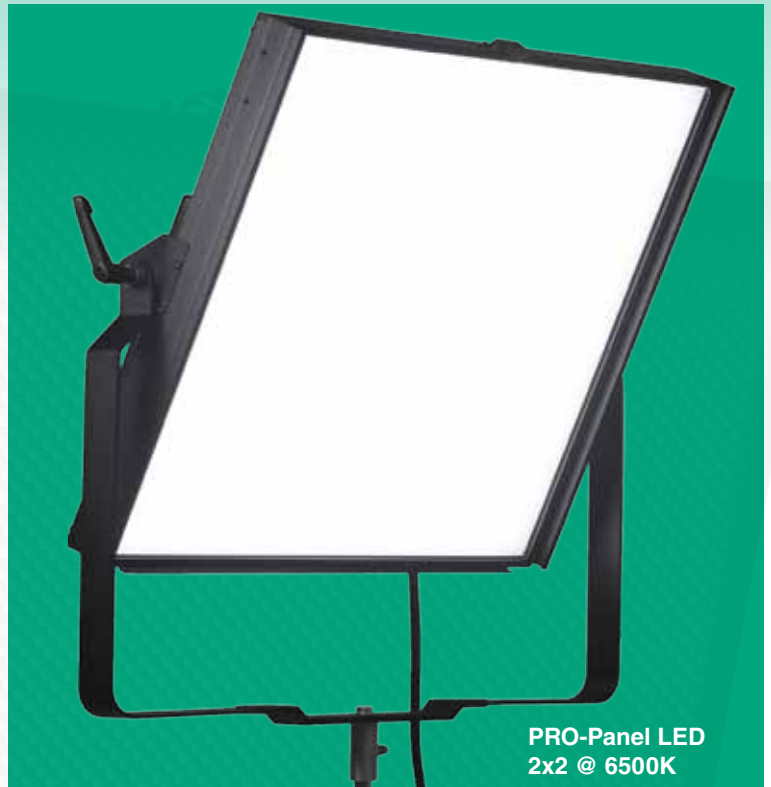
USHIO introduces the first two models of professional Solid State LED soft lights for photography, video broadcast, and cinematography. PRO-Panel LED fixtures bring all the benefits of LED lighting such as cool operation, long life, and energy savings, plus high output, flicker free operation to any studio application.

Features and Benefits:

- 2700K Tungsten - 6500K Daylight Controllable Range
- Continuous DMX 512 Dimming Control: 100% - 0%
- Connect Multiple Fixtures for Uniform Dimming and Color Temperature Control
- Flicker Free DC Driving System
- CRI > 90
- Heavy Duty Adjustable Yoke: Capable of Hanging in Studio or Portable Stand Mounting
- 3 Year Warranty
- Certifications: UL, FCC, and CE
- Max. Power Consumption: 115W, < 1A
- 90-240V AC Input Range

Applications:

- Photography
- Cinematography
- Video Broadcast
- Film Lighting



PRO-Panel LED
2x2 @ 6500K

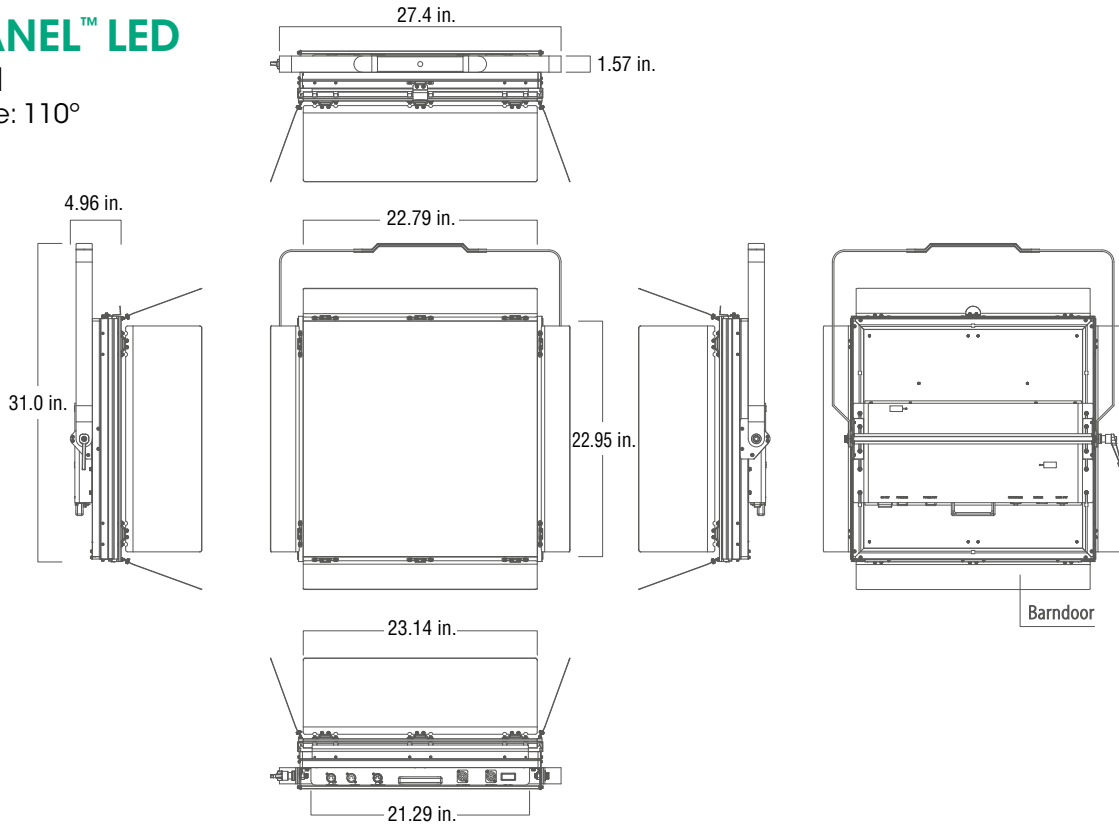


1x2 @ 6500K

1x2 @ 2700K

PRO-PANEL™ LED

2X2 Panel
Beam Angle: 110°



USHIO Order Code	USHIO Lamp Description	Weight	Luminous Flux (lm)		Maximum Illumination lux @ 1m		fc @ 1m		CRI	Color Temp K	Max. Power @ 120V AC
			2700K	6500K	2700K	6500K	2700K	6500K			
1003838	PRO-Panel 2x2	25 lbs.	5046	5566	1817	1997	169	186	> 90	2700K - 6500K	105±10W

Electrical Specifications

Max. Power Consumption (W): 115
Input Voltage (V): Typical 100~240
Power Factor Min.: 0.9

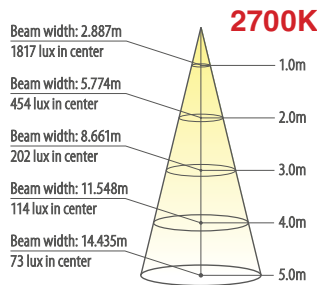
2x2 @
2700K



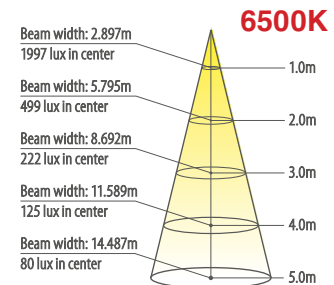
2x2 @
6500K



Optical Specifications



Average Beam Half - Angle = 55



Average Beam Half - Angle = 55

Intensity (candlepower) summary						Zonal lumens and percentages		
ANGLE	ALONG	25	45	65	ACROSS	ZONE	LUMENS	% LUMINAIRE
0	1820	1810	1810	1810	1800	0-30	1609.5	31.8
5	1810	1800	1800	1800	1800	0-40	2512.5	49.7
15	1740	1730	1730	1730	1730	0-60	4186.7	82.9
25	1610	1600	1600	1600	1600	0-90	5045.5	100
35	1420	1410	1410	1410	1410	0-90	5045.5	100
45	1190	1180	1180	1180	1180	40-90	2533	50.2
55	920	914	911	912	913	60-90	858.8	17
65	626	620	618	619	622	90-180	0	0
75	328	322	319	321	326	0-180	5045.5	100
85	75.4	69.5	67	68.8	75.3			
90	0	0.7	0.3	0	0			

Efficacy (lumens per watt): 48.0

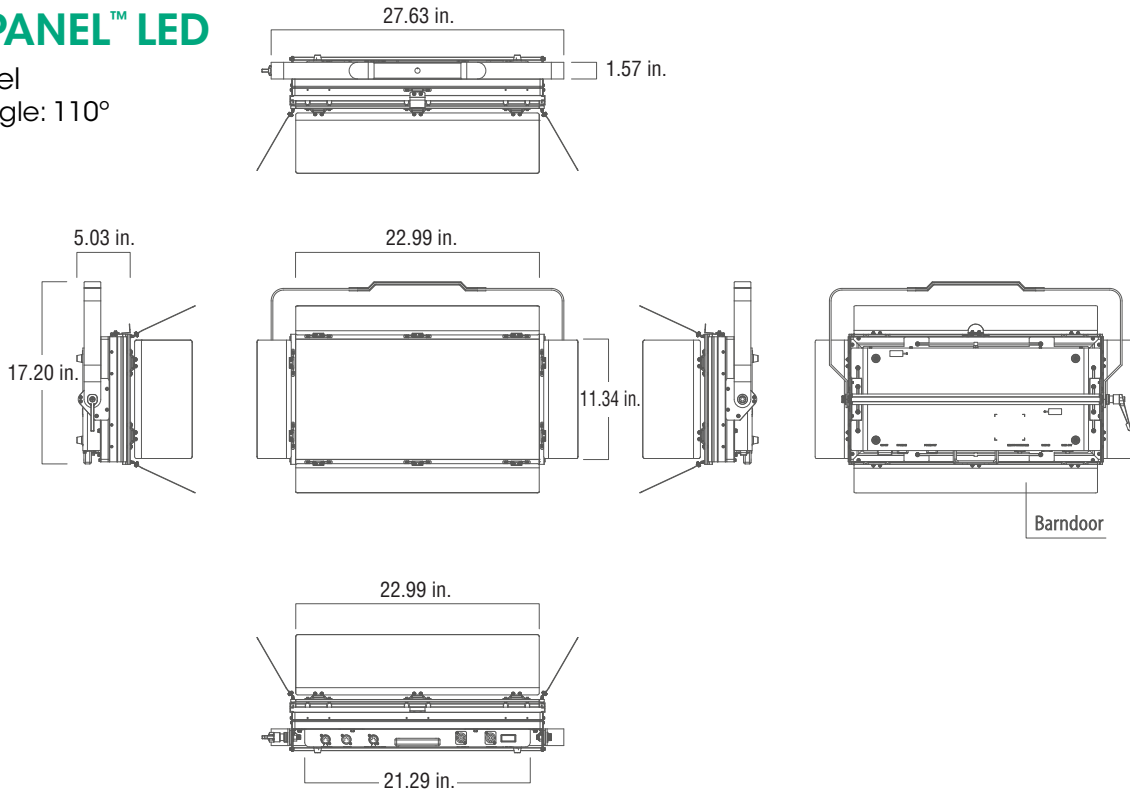
Intensity (candlepower) summary						Zonal lumens and percentages		
ANGLE	ALONG	25	45	65	ACROSS	ZONE	LUMENS	% LUMINAIRE
0	2000	1990	1990	1990	1990	0-30	1772	31.8
5	1990	1980	1980	1980	1980	0-40	2767.4	49.7
15	1910	1910	1900	1900	1900	0-60	4614.8	82.9
25	1770	1760	1760	1760	1760	0-90	5566.3	100
35	1560	1560	1560	1560	1560	0-90	5566.3	100
45	1310	1300	1300	1300	1300	40-90	2798.9	50.2
55	1010	1010	1010	1010	1010	60-90	951.5	17.1
65	692	686	682	683	687	90-180	0	0
75	362	357	353	356	361	0-180	5566.3	100
85	82.9	78.3	74.8	77.9	83.9			
90	1.4	1.8	1.4	1.6	1.5			

Efficacy (lumens per watt): 53.0

USHIO

PRO-PANEL™ LED

1X2 Panel
Beam Angle: 110°



USHIO Order Code	USHIO Lamp Description	Weight	Luminous Flux (lm)		Maximum Illumination lux @ 1m		fc @ 1m		CRI	Color Temp K	Max. Power @ 120V AC
			2700K	6500K	2700K	6500K	2700K	6500K			
1003837	PRO-Panel 1x2	21 lbs.	4351	4980	1566	1781	145	165	> 90	2700K - 6500K	105±10W

Electrical Specifications

Max. Power Consumption (W): 115
Input Voltage (V): Typical 100~240
Power Factor Min.: 0.9

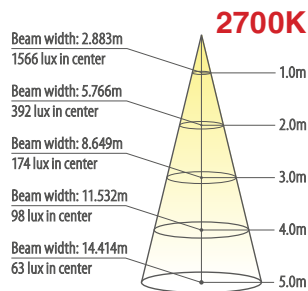
1x2 @ 2700K



1x2 @ 6500K



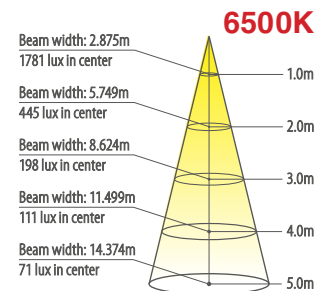
Optical Specifications



Average Beam Half - Angle = 55

Intensity (candlepower) summary						Zonal lumens and percentages		
ANGLE	ALONG	25	45	65	ACROSS	ZONE	LUMENS	% LUMINAIRE
0	1570	1570	1560	1570	1560	0-30	1399.7	32
5	1560	1560	1560	1560	1560	0-40	2175	50
15	1500	1500	1500	1500	1500	0-60	3620	83.1
25	1380	1380	1380	1390	1390	0-90	4351.3	100
35	1220	1220	1220	1220	1230	40-90	2176.3	50
45	1020	1020	1020	1020	1030	60-90	731.3	16.8
55	786	786	785	788	793	90-180	0	0
65	531	530	528	532	538	0-180	4351.3	100
75	276	272	270	274	280			
85	55.8	57.2	54	50.7	52.5			
90	1.7	3	4.3	3.9	2.5			

Efficacy (lumens per watt): 43.5



Average Beam Half - Angle = 55

Intensity (candlepower) summary						Zonal lumens and percentages		
ANGLE	ALONG	25	45	65	ACROSS	ZONE	LUMENS	% LUMINAIRE
0	1780	1790	1790	1790	1790	0-30	1593.8	32
5	1770	1780	1780	1780	1780	0-40	2488.1	50
15	1700	1710	1710	1720	1720	0-60	4142.6	83.1
25	1570	1580	1580	1590	1590	0-90	4979.6	100
35	1390	1400	1400	1400	1410	40-90	2491.5	50
45	1160	1170	1170	1170	1170	60-90	837	16.8
55	896	899	900	903	908	90-180	0	0
65	607	607	606	611	617	0-180	4979.6	100
75	315	311	310	314	320			
85	64.1	64.8	62	57	58			
90	1.7	2.3	4	3.1	1.3			

Efficacy (lumens per watt): 47.4



PRO-PANEL™ LED

ACCESSORIES

Included Accessories

- Dimming and Color Temperature Controller: Allows for custom dimming (100-0%) and color control (2700K-6500K) plus two selective presets (tungsten and daylight)
- 90° Honey Comb Louver: refines light spill and beam control
- Gel Frame Holder: use popular commercial gels to economically customize your light effects

Optional Accessory

- 4-Leaf Barn Door: shapes and controls the light where you need it.



USHIO Lighting—Edge Technologies

USHIO AMERICA, INC. | 800.838.7446 | WWW.USHIO.COM

Form No. B-PPLED/1212

The specifications on this sheet supersede all previously published specifications and may be subject to change for design and specification improvement without prior notice.



Scan with a smartphone to view this product online.